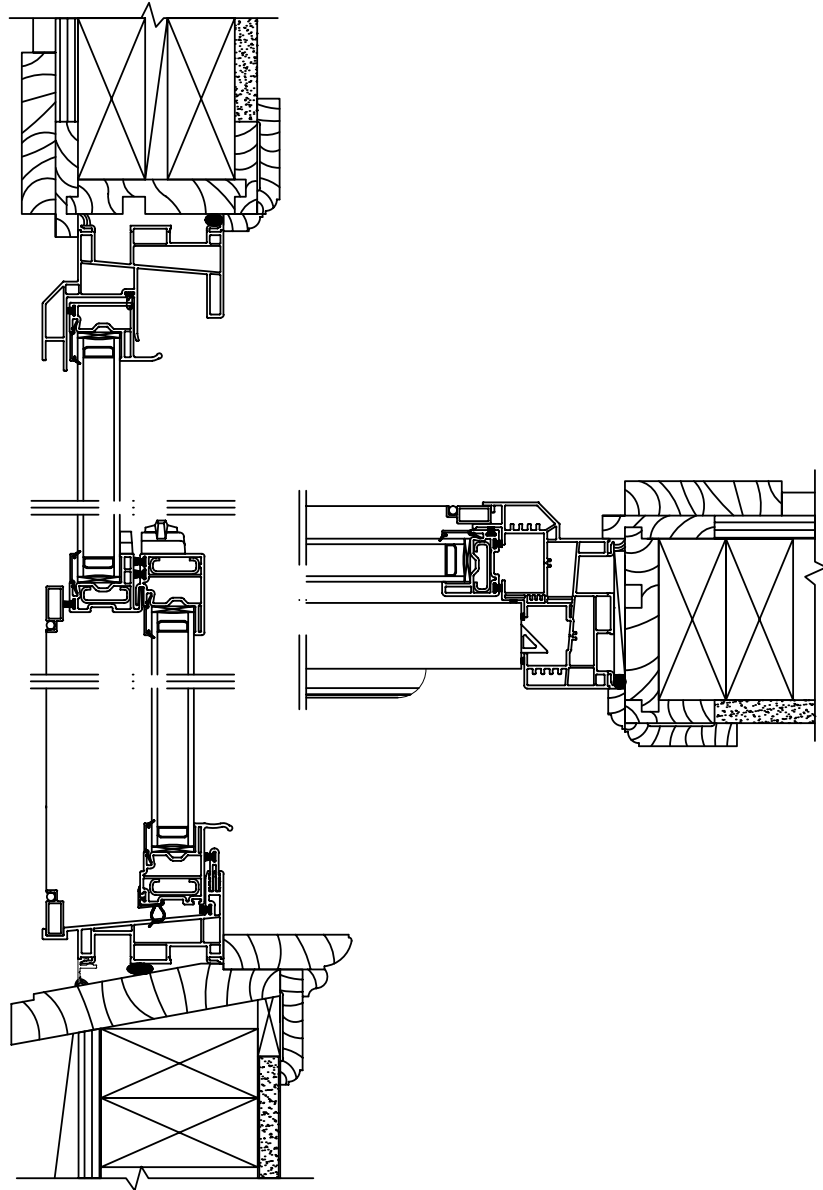


Section 4

4.1 - Cambridge Double-Hung

Wood Window Buck with Basic Frame



851 HEMLOCK ROAD
MORGANTOWN, PA 19543

Cambridge Double Hung
Wood Window Buck with Basic Frame

UPDATED BY: RAS

DATE: 11/25/2013

SCALE: 3" = 1'-0"

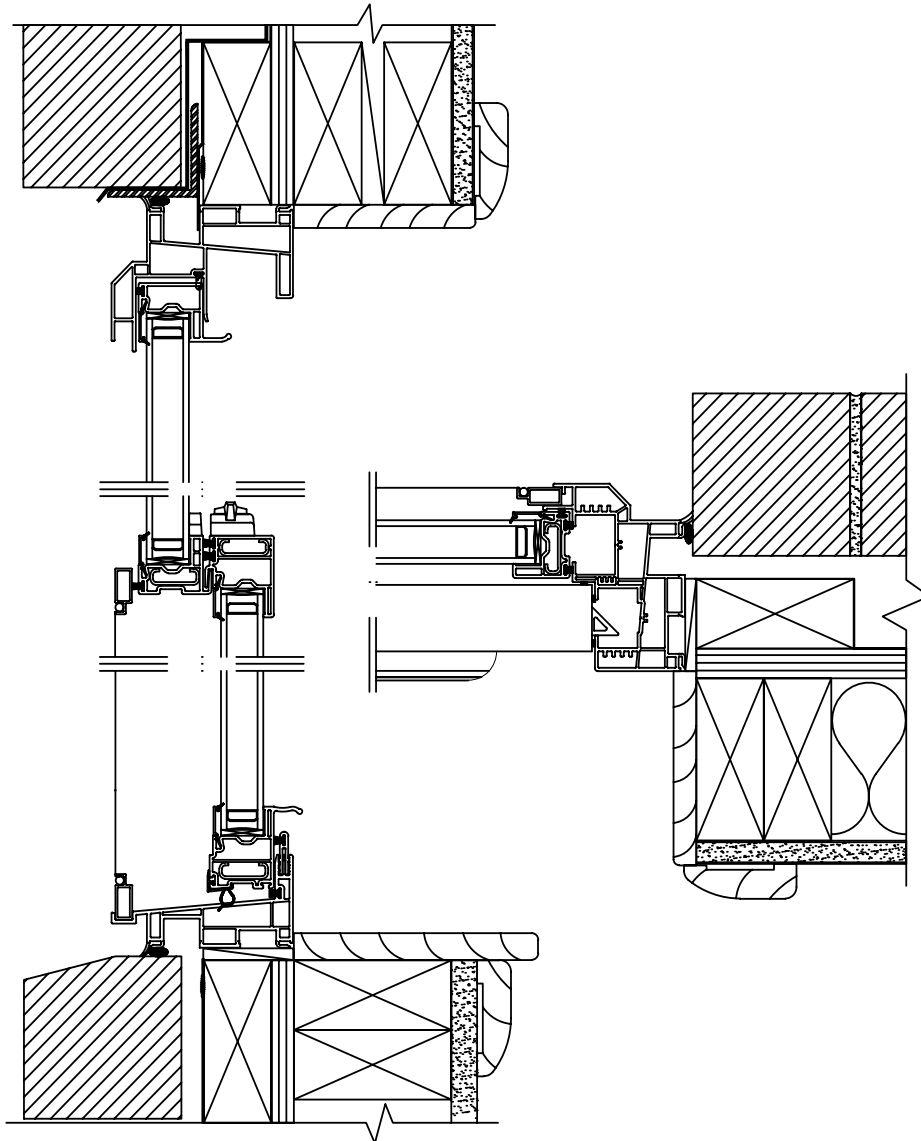
SECT. 4.1

PAGE: 1

THIS DRAWING AND ALL INFORMATION IS THE SOLE PROPERTY OF VIWINCO, INC. MORGANTOWN PA. THE CONTENT IS CONFIDENTIAL AND MUST NOT BE MADE PUBLIC, COPIED, OR USED TO ANY DISADVANTAGE, AND IS SUBJECT TO RETURN ON DEMAND.

4.1 - Cambridge Double-Hung

Brick Veneer with Basic Frame



851 HEMLOCK ROAD
MORGANTOWN, PA 19543

Cambridge Double Hung
Brick Veneer with Basic Frame

UPDATED BY: RAS

DATE: 11/25/2013

SCALE: 3" = 1'-0"

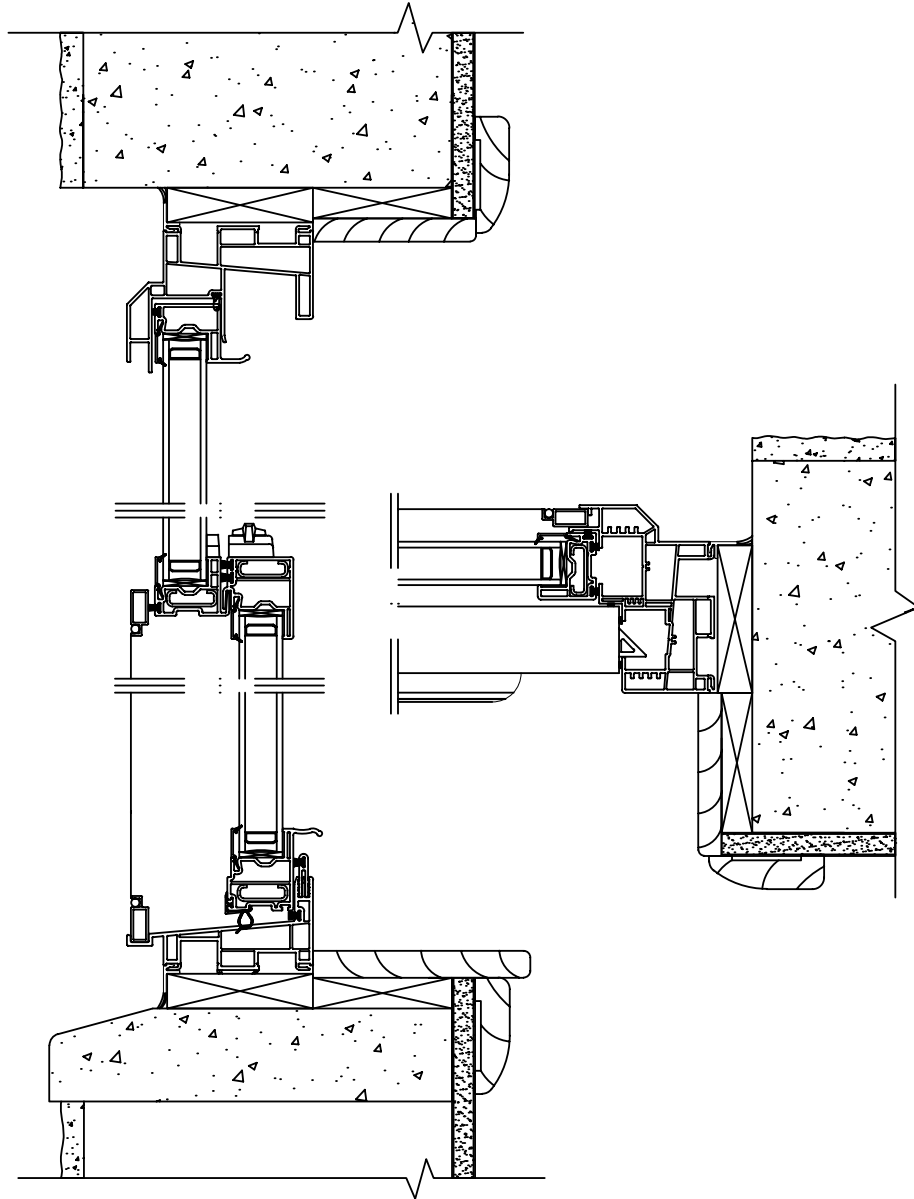
SECT. 4.1

PAGE: 2

THIS DRAWING AND ALL INFORMATION IS THE SOLE PROPERTY OF VIWINCO, INC., MORGANTOWN PA, THE CONTENT IS CONFIDENTIAL AND MUST NOT BE MADE PUBLIC, COPIED, OR USED TO ANY DISADVANTAGE, AND IS SUBJECT TO RETURN ON DEMAND.

4.1 - Cambridge Double-Hung

Masonry Wall with Basic Frame



851 HEMLOCK ROAD
MORGANTOWN, PA 19543

Cambridge Double Hung
Masonry Wall with Basic Frame

UPDATED BY: RAS

DATE: 11/25/2013

SCALE: 3" = 1'-0"

SECT. 4.1

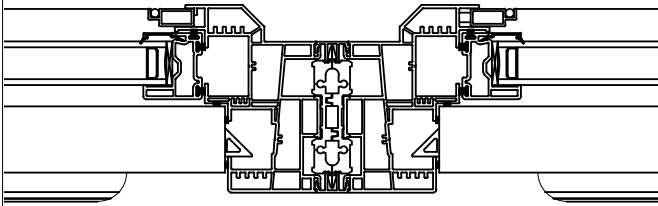
PAGE: 3

THIS DRAWING AND ALL INFORMATION IS THE SOLE PROPERTY OF VIWINCO, INC, MORGANTOWN PA, THE CONTENT IS CONFIDENTIAL AND MUST NOT BE MADE PUBLIC, COPIED, OR USED TO ANY DISADVANTAGE, AND IS SUBJECT TO RETURN ON DEMAND

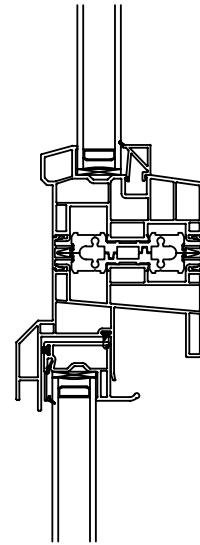
4.1 - Cambridge Double-Hung

Mull Details

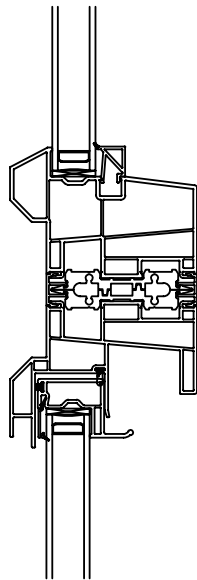
Vertical Standard Mull



Horizontal Standard Mull to Geometric



Horizontal Standard Mull to Picture



851 HEMLOCK ROAD
MORGANTOWN, PA 19543

Cambridge Double Hung Mull Details

UPDATED BY: RAS

DATE: 12/3/2013

SCALE: 3" = 1'-0"

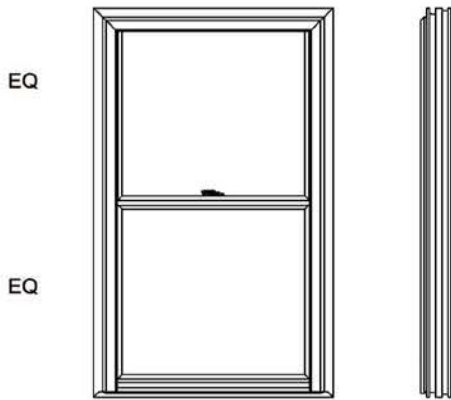
SECT. 4.1

PAGE: 4

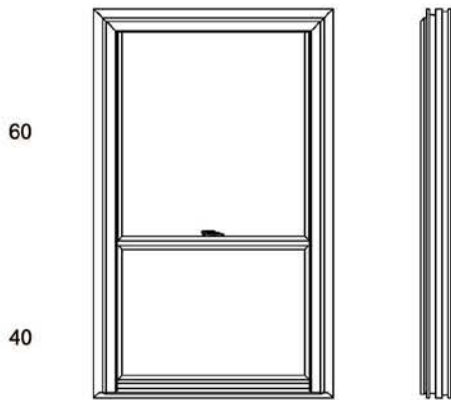
THIS DRAWING AND ALL INFORMATION IS THE SOLE PROPERTY OF VIWINCO, INC., MORGANTOWN PA. THE CONTENT IS CONFIDENTIAL AND MUST NOT BE MADE PUBLIC, COPIED, OR USED TO ANY DISADVANTAGE, AND IS SUBJECT TO RETURN ON DEMAND.

4.1 - Cambridge Double-Hung

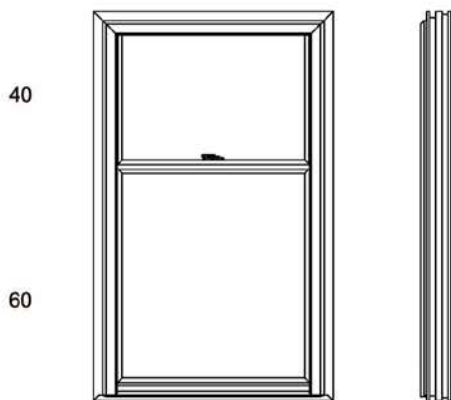
Window Elevations with Basic Frame



Basic Frame - Standard Unit



Basic Frame - Oriel Unit



Basic Frame - Reverse Oriel Unit



851 HEMLOCK ROAD
MORGANTOWN, PA 19543

Cambridge Double Hung
Window Elevations with Basic Frame

UPDATED BY: RAS

DATE: 12/3/2013

SCALE: 1/2" = 1'-0"

SECT. 4.1

PAGE: 5

THIS DRAWING AND ALL INFORMATION IS THE SOLE PROPERTY OF VIWINCO, INC. MORGANTOWN PA. THE CONTENT IS CONFIDENTIAL AND MUST NOT BE MADE PUBLIC, COPIED, OR USED TO ANY DISADVANTAGE, AND IS SUBJECT TO RETURN ON DEMAND.